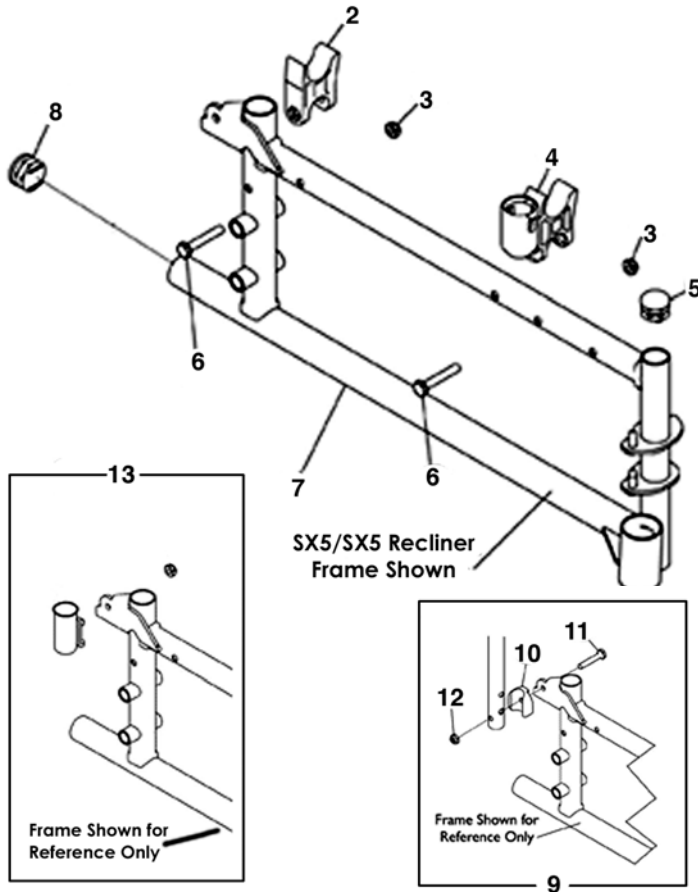


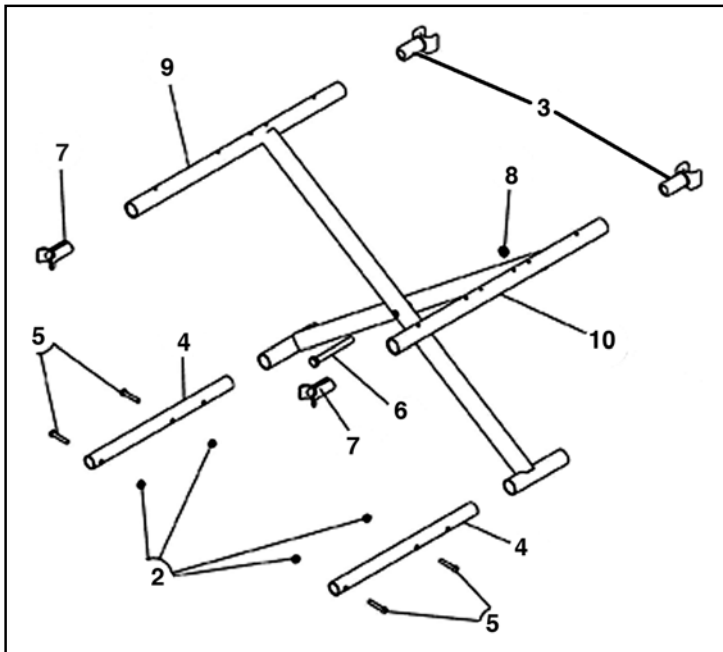


EX2, SX5 Wheelchair & SX5 Recliner by Invacare



When Ordering, Specify Left (L) or Right (R) Sitting in Chair

Frames & Hardware (SX5 & SX5 Recliner)			
Item No.	Description	ALCO Part No.	Price Each
2	H block	AL-64618	\$1.95
3,15	Locknut	AL-53240	\$8.95
4	H block with socket cup	AL-64617	\$1.95
5	Plug Button, Black 7/8"	AL-231B	\$0.95
6	Screw, Hex Head Cap	AL-64633	\$8.95
7	Frame, Right	AL-64553	Call
	Frame, Left	AL-64554	Call
8	Plug Button, 1", Black, Plastic	AL-58533B	\$0.95
9	Flip back rear arm hardware kit	AL-64556	\$7.95
10	Spacer, Arm	AL-64557	\$7.95
11	Screw, Hex Head Cap	AL-64558	\$8.95
12	Locknut	AL-64559	\$1.95
13	Reclining back rear arm hardware kit	AL-64560	\$19.95
N/S	Stem Bearing	AL-263	\$3.95



Crossbrace & Hardware -Fixed Front Frame (EX2)			
Item No.	Description	ALCO Part No.	Price Each
2	Locknut	AL-59860	\$8.95
3	Seat guide	AL-184B	\$1.95
4	Tube, Insert	AL-64565	\$7.95
5	Screw, Phillips Pan Head	AL-64566	\$8.95
6	Screw, Hex Head Cap	AL-45874	\$7.95
7	Seat guide, Black	AL-189	\$7.95
8	Nut, low cap	AL-64569	\$8.95
9	Crossbrace Assembly, Black, 18", Left	AL-64570	Call
	Crossbrace Assembly, Black, 20", Left	AL-64572	Call
10	Crossbrace Assembly, Black, 18", Right	AL-64571	Call
	Crossbrace Assembly, Black, 20", Right	AL-64573	Call



www.alcosales.com

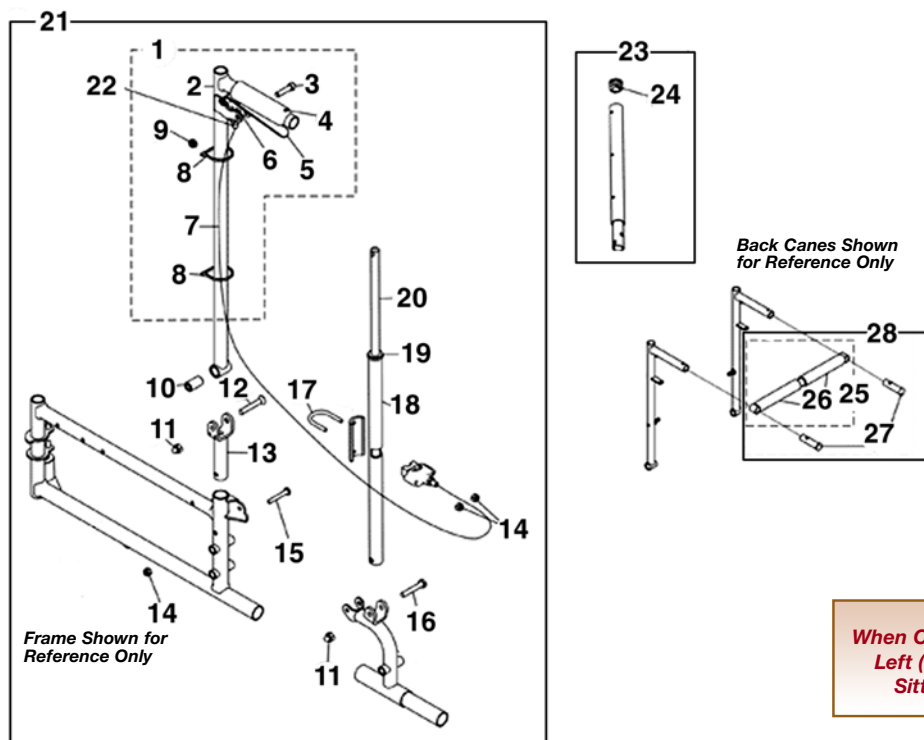
To Browse Through Our Catalogs Online Go To

www.alcosales.com

And Click On ONLINE CATALOGS



SX5 Recliner by Invacare



When Ordering, Specify Left (L) or Right (R) Sitting in Chair

Recliner Back (SX5 Recliner)

Item No.	Description	ALCO Part No.	Price Each	Item No.	Description	ALCO Part No.	Price Each
1	Rear Cane Tube Assembly, Left	AL-65262	Call	20	Locking Rod	AL-65278	\$25.95
	Rear Cane Tube Assembly, Right	AL-65263	Call	21	Recliner Back Assembly, Left*	AL-65279	Call
2	Back Tube	AL-65264	\$19.95		Recliner Back Assembly, Right*	AL-65280	Call
3	Screw, Socket Head Cap	AL-45828	\$7.95	22	Nut, Swivel	AL-65281	\$1.95
4	Grip, Foam	AL-65265	\$8.95	23	Tube, Headrest Extension with Plug Buttons	AL-65282	\$16.95
5	Lever Brake Release	AL-45827	\$8.95	24	Plug Button, Black, 3/4"	AL-2295B	\$0.95
6	Spring Fastener Grip	AL-65266	\$7.95	25	Bar Spreader with Grips, 14"	AL-65283	Call
7	Housing with Cable Assembly	AL-65267	\$29.95		Bar Spreader with Grips, 16"	AL-65284	Call
8	Tie Wrap (5-5/8"L)	AL-45839	\$7.95		Bar Spreader with Grips, 18"	AL-65285	Call
9,14	Locknut	AL-52837	\$7.95		Bar Spreader with Grips, 20"	AL-65286	Call
10	Bushing, Pivot	AL-65268	\$7.95		Bar Spreader with Grips, 22"	AL-65287	Call
11	Nut, Cap	AL-65269	\$7.95	26	Grip, Foam 5" for 14" Wide Chairs	AL-65288	\$9.95
12	Screw Socket Flathead	AL-65270	\$7.95		Grip, Foam Tubular for 16"-22" Wide Chairs	AL-65289	\$14.95
13	U-Bracket	AL-65271	\$10.95	27	Lock Handle	AL-65290	\$7.95
15	Screw, Hex Head Cap	AL-65272	\$7.95		Bar Spreader with Locking Pins, 14"	AL-65291	Call
16	Screw, Hex Head Cap	AL-65275	Call		Bar Spreader with Locking Pins, 16"	AL-65292	Call
17	U-Bolt	AL-45841	\$7.95		Bar Spreader with Locking Pins, 18"	AL-65293	Call
18	Locking Tube	AL-65276	\$31.95		Bar Spreader with Locking Pins, 20"	AL-65294	Call
19	Spacer Tube	AL-65277	\$7.95	Bar Spreader with Locking Pins, 22"	AL-65295	Call	

*Specify Model and/or Serial Number

Conventional Fixed Height Arm Assembly (SX5 Recliner)		
Description	ALCO Part No.	Price Each
Desk Armrest Complete, Left	AL-65296	\$69.95
Desk Armrest Complete, Right	AL-65297	\$69.95
Full Armrest Complete, Left	AL-65298	\$89.95
Full Armrest Complete, Right	AL-65299	\$89.95

Seat Upholstery				
Description	18"W x 16" Deep		20"W x 16" Deep	
	ALCO Part No.	Price Each	ALCO Part No.	Price Each
Black	AL-779-A3	\$22.95	AL-781-A3	\$30.95
Dark Blue	AL-779-A50	\$32.95	AL-781-A50	\$40.95
Midnight Blue	AL-779-A31	\$32.95	AL-781-A31	\$40.95

Back Upholstery				
Description	18"W		20"W	
	ALCO Part No.	Price Each	ALCO Part No.	Price Each
Black	AL-82852-A3	\$39.95	AL-82853-A3	\$42.95
Dark Blue	AL-82852-A50	\$39.95	AL-82853-A50	\$42.95
Midnight Blue	AL-82852-A31	\$39.95	AL-82853-A31	\$42.95

EP4