



Product Description:

- Protection System
- Holds personal protection equipment in two bulk compartments, one box of earloop masks, shields, or boxed gowns, disposable or reusable gowns, aprons, or coveralls/jumpsuits, and three boxes of gloves
- Side load bulk and gown areas
- Keyholes for wall mounting, or door hanger cut out for use with wall or door hanger
- Quartz Beige ABS Plastic

Primary Area for Product Usage:

- Anywhere personal protection equipment is needed

Dispenses:

- Top left and right: Item(s) no larger than 7.90"W x 10.00"H x 4.55"D (20.1 cm x 25.4 cm x 11.4 cm)
- Top center: Box(es) no larger than 8.05"W x 10.00"H x 4.55"D (20.4 cm x 25.4 cm x 11.6 cm)
- Bottom left: Item(s) no larger than 14.15"W x 16.33"H x 4.55"D (35.9 cm x 41.5 cm x 11.6 cm)
- Right: Box(es) no larger than 10.00"W x 5.38"H x 4.55"D (25.4 cm x 13.7 cm x 11.6 cm)

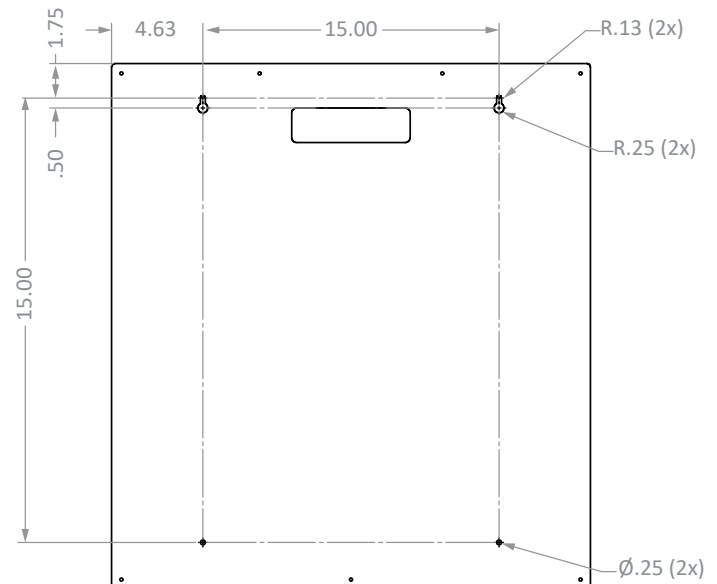
Package Specifications:

- Package Quantity: 1 per case
- 26"L x 6"W x 32"H (66.0 cm x 15.2 cm x 81.3 cm)
- 11.0 lbs (5.0 kg) - approximated

Product Specifications (overall external dimensions):

- 24.47"W x 26.63"H x 4.75"D (62.2 cm x 67.6 cm x 12.1 cm)
- 8.2 lbs (3.7 kg) - approximated

Mounting Specifications:



Accessories (each sold separately):

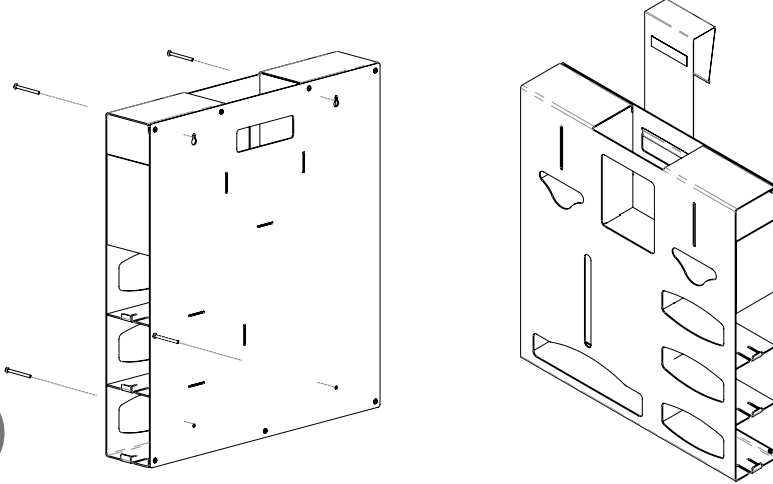
- Clip-On Caddy Dispensers
- Door and Wall Hangers



Installation

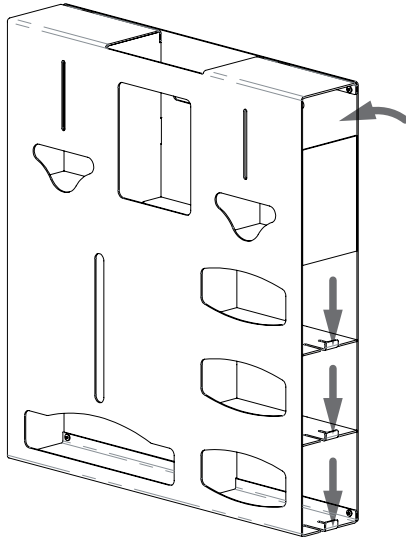
Always mount dispensers securely *prior* to loading with product.

- Mount empty system securely to a wall with screws approved and supplied by building maintenance.
- Dispenser can be mounted onto a door or wall hanger through the cutout in the back. (Please see datasheet of chosen hanger for details.)



1

- Load the bulk compartments from the sides.
- Press down on the shelf tabs to load or release the glove boxes.



2

Parts included:

- Dispenser

Tools Required:

- No tools required to assemble dispenser

Care and Construction

ABS Plastic

Material Characteristics

Designed for Long-Term, Heavy-Duty Applications

The combination of copolymers (Acrylonitrile, Butadiene, and Styrene) gives ABS an excellent combination of strength, rigidity, and toughness. The fauxwood finish is ARVINYL laminate created from a semi-rigid film.

ABS is chemical and stress-crack resistant. It is tough, dimensionally stable, and will hold up to long-term use. To ensure product longevity, fauxwood products should not be mounted in very hot or cold areas.

Care and Cleaning

Use mild soap and water to clean. Petroleum-based oils, solvents, and paints should not be used.

Standard hospital cleaning supplies are approved for use on our ABS plastic products.