



Product Description:

- Respiratory Hygiene Station - Locking
- Holds two boxes of face masks, one or two boxes of facial tissues or one box of gloves, and one hand sanitizer dispenser
- Hinged locking lid
- Keyholes and screw holes for wall mounting or can be mounted to a floor stand
- Quartz Beige ABS Plastic

Primary Area for Product Usage:

- All ports of entry
- Anywhere respiratory hygiene products are needed

Dispenses:

- Left: Dispensing unit no larger than 8.50"W x 14.75"H x 5.00"D (21.6 cm x 37.5 cm x 12.7 cm)
- [Note: Refer to automatic dispensing specifications on detection distance requirements.]
- Middle: Box(es) no larger than 8.00"W x 4.88"H x 4.75"D (20.3 cm x 12.4 cm x 12.1 cm)
- Right: Box(es) no larger than 5.50"W x 9.75"H x 4.75"D (13.7 cm x 25.4 cm x 12.1 cm)

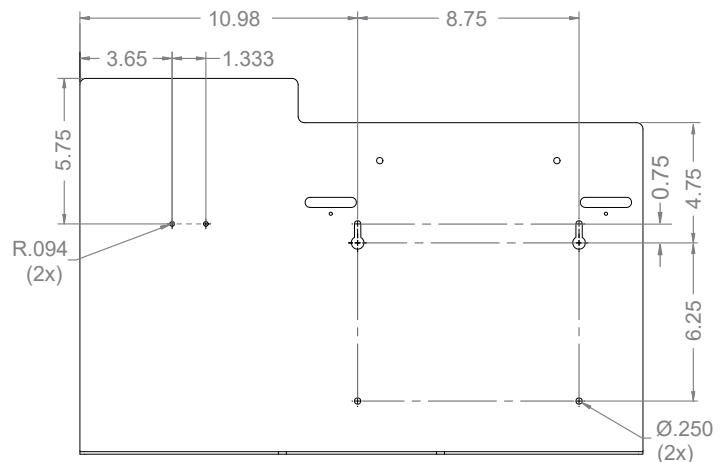
Package Specifications:

- Package Quantity: 1 per case
- 24"L x 16"W x 6"H (61.0 cm x 40.6 cm x 15.2 cm)
- 5.0 lbs (2.3 kg) - approximated

Product Specifications (overall external dimensions):

- 22.25"W x 14.85"H x 5.00"D (56.5 cm x 37.7 cm x 12.7 cm)
- 2.7 lbs (1.2 kg) - approximated

Mounting Specifications:



Accessories (shown below, each sold separately):

- Sign Holder - Vertical - Respiratory Hygiene Station
- Sign Holder - Horizontal - Respiratory Hygiene Station
- Floor Stand - All Steel (Quartz Beige)

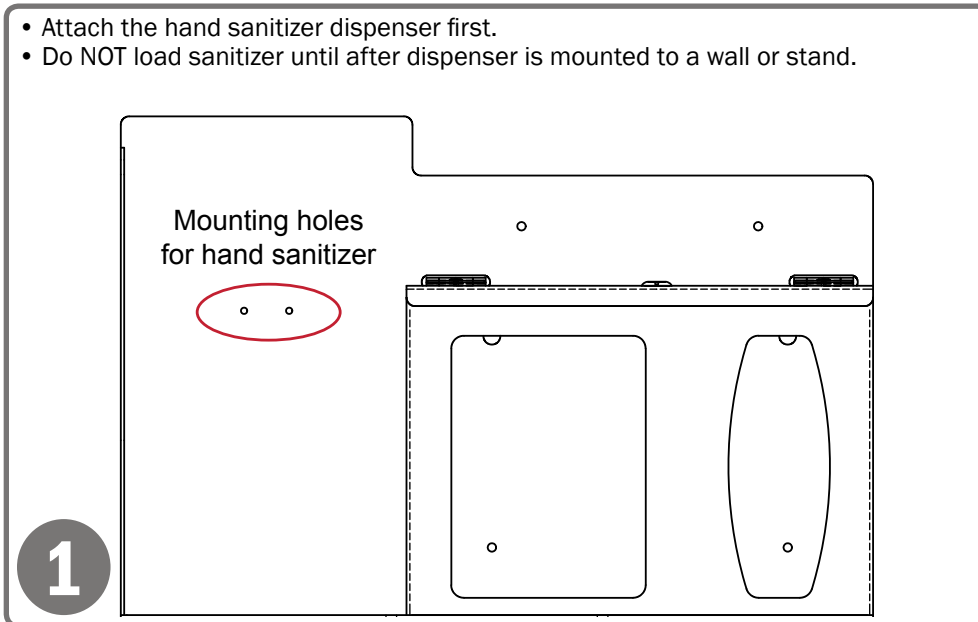
Related Products (sold as kits):

- Cover Your Cough Compliance Kit
 - Respiratory Hygiene Station - Locking
 - Floor Stand - All Steel
 - Sign Holder - Vertical
- Cover Your Cough Compliance Kit
 - Respiratory Hygiene Station - Locking
 - Floor Stand - All Steel
 - Sign Holder - Horizontal
- Cover Your Cough Compliance Kit
 - Respiratory Hygiene Station - Locking
 - Sign Holder - Vertical
- Cover Your Cough Compliance Kit
 - Respiratory Hygiene Station - Locking
 - Sign Holder - Horizontal

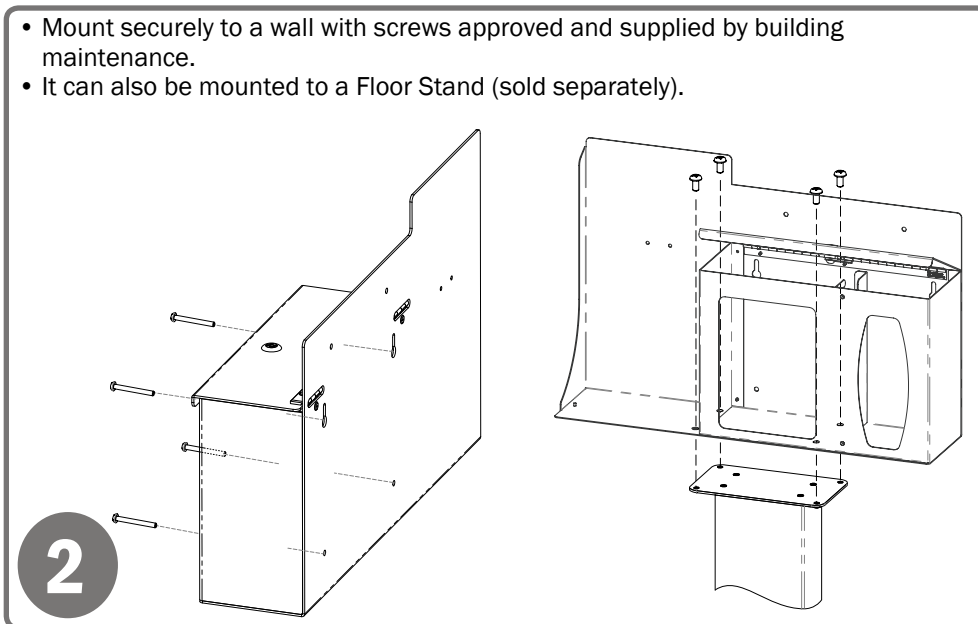
Installation

Always mount dispensers securely *prior* to loading with product.

- Attach the hand sanitizer dispenser first.
- Do NOT load sanitizer until after dispenser is mounted to a wall or stand.



- Mount securely to a wall with screws approved and supplied by building maintenance.
- It can also be mounted to a Floor Stand (sold separately).



Parts included:

- Dispenser

Tools Required:

- No tools required to assemble dispenser

Care and Construction

ABS Plastic

Material Characteristics

Designed for Long-Term Heavy-Duty Applications

The combination of copolymers (Acrylonitrile, Butadiene, and Styrene) gives ABS an excellent combination of strength, rigidity, and toughness.

ABS is chemical and stress-crack resistant. It is tough, dimensionally stable, and will hold up to long-term use. It possesses high strength and performance characteristics at a reasonable cost.

Care and Cleaning

Use mild soap and water to clean. Petroleum-based oils, solvents, and paints should not be used.

Standard hospital cleaning supplies can be used.



MADE IN THE USA

Accessories (shown below, each sold separately):

- Sign Holder - Vertical - Respiratory Hygiene Station
- Sign Holder - Horizontal - Respiratory Hygiene Station
- KS010-0420, Floor Stand - All Steel (Black)

Related Products (sold as kits):

- Cover Your Cough Compliance Kit
 - Respiratory Hygiene Station - Locking, Cherry
 - Floor Stand - All Steel (Black)
 - Sign Holder - Vertical
- Cover Your Cough Compliance Kit
 - Respiratory Hygiene Station - Locking, Cherry
 - Floor Stand - All Steel (Black)
 - Sign Holder - Horizontal



AL-89797-0233

Product Description:

- Respiratory Hygiene Station - Locking
- Holds two boxes of face masks, one or two boxes of facial tissues or one box of gloves, and one hand sanitizer dispenser
- Hinged locking lid
- Keyholes and screw holes for wall mounting or can be mounted to a floor stand
- *Signature Series* - Made of Cherry Fauxwood ABS Plastic (also available in Maple Fauxwood ABS Plastic)

Primary Area for Product Usage:

- Emergency and admitting departments, all ports of entry, outpatient radiology/MRI, outpatient labs and pharmacies

Dispenses:

- Most major manufacturers' standard boxes
- Left: One hand sanitizing gel or foam dispenser - mountable area 8.50"W x 14.75"H x 5.00"D (21.6 cm x 37.5 cm x 12.7 cm) [Note: Refer to automatic dispensing specifications on detection distance requirements.]
- Middle: Two boxes of face masks no larger than 8.00"W x 4.88"H x 4.75"D (20.3 cm x 12.4 cm x 12.1 cm)
- Right: One large or two small boxes of tissues or one box of gloves no larger than 5.50"W x 9.75"H x 4.75"D (13.7 cm x 25.4 cm x 12.2 cm)

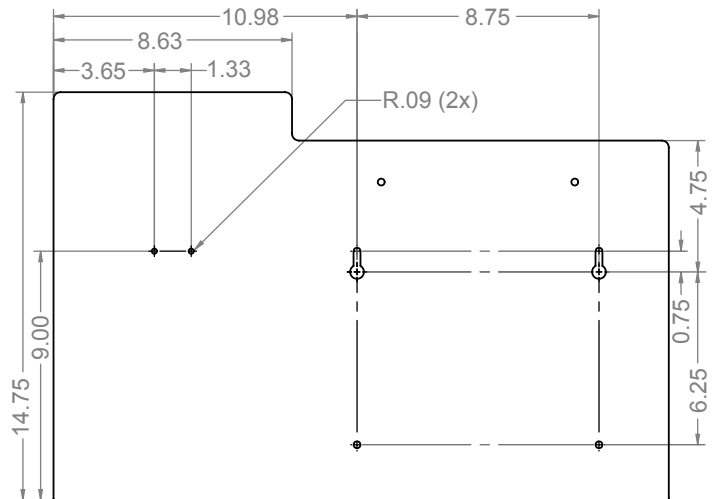
Package Specifications:

- Package Quantity: 1 per case
- 24"L x 16"W x 6"H (61.0 cm x 40.6 cm x 15.2 cm)
- 6.0 lbs (2.7 kg) - approximated

Product Specifications (overall external dimensions):

- 22.25"W x 14.75"H x 5.00"D (56.5 cm x 37.5 cm x 12.7 cm)
- 3.6 lbs (1.6 kg) - approximated

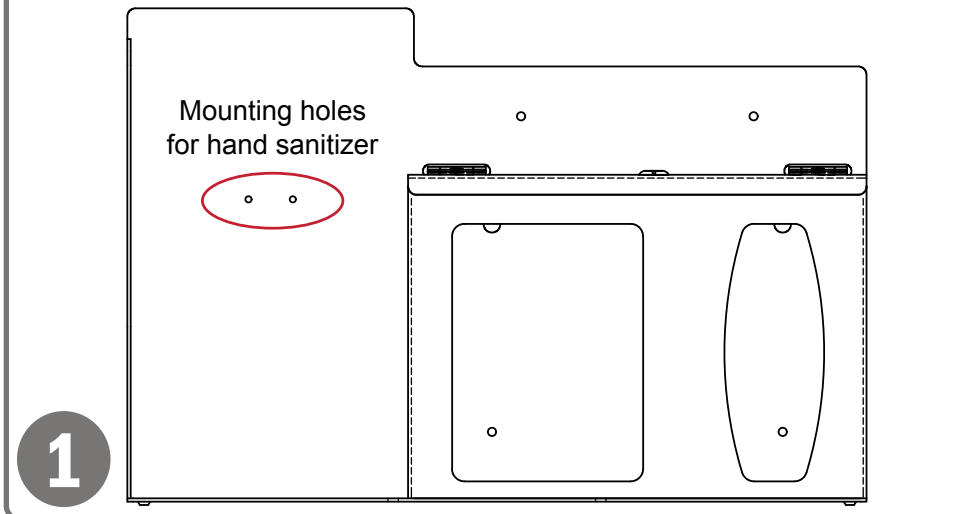
Mounting Specifications:



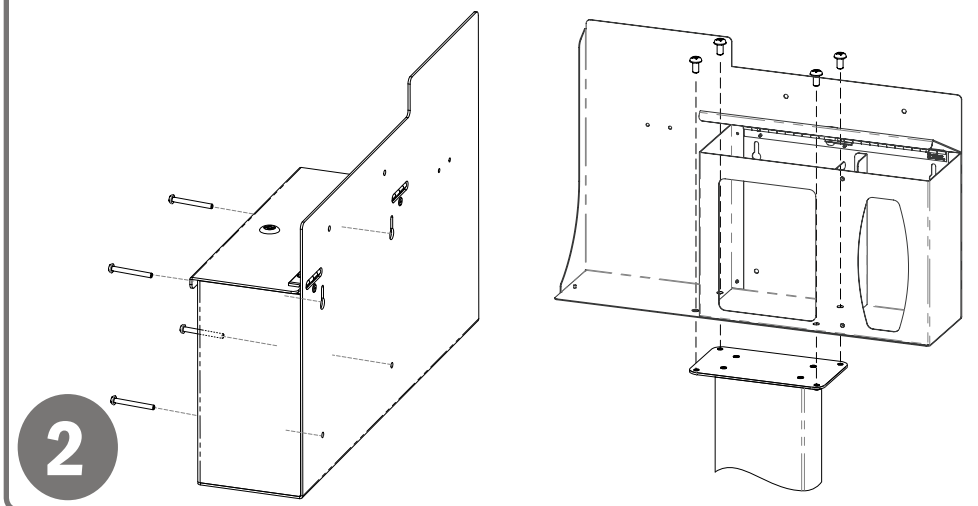
Installation

Always mount dispensers securely *prior* to loading with product.

- Attach the hand sanitizer dispenser first.
- Do NOT load sanitizer until after dispenser is mounted to a wall or stand.



- Mount securely to a wall with screws approved and supplied by building maintenance.
- It can also be mounted to a Floor Stand (sold separately).



Parts included:

- Dispenser

Tools Required:

- No tools required to assemble dispenser

Care and Construction

Fauxwood ABS Plastic

Material Characteristics

Designed for Long-Term Heavy-Duty Applications

The combination of copolymers (Acrylonitrile, Butadiene, and Styrene) gives ABS an excellent combination of strength, rigidity, and toughness. The fauxwood finish is ARVINYL laminate created from a semi-rigid film.

ABS is chemical and stress-crack resistant. It is tough, dimensionally stable, and will hold up to long-term use. To ensure product longevity, fauxwood products should not be mounted in very hot or cold areas.

Our fauxwood material is engineered to have a natural grain appearance both in Cherry and Maple finishes. The two color choices provide a visually appealing, upscale option to any area.

Care and Cleaning

Signature Series products can be cleaned with standard hospital cleaning products. Petroleum-based oils, solvents, and paints should not be used. Standard hospital cleaning supplies are approved for use on our fauxwood products.



MADE IN THE USA

Related Products (each sold separately):

- Floor Stand - All Steel
- Floor Stand
- Sign Holder - Vertical (shown below)
- Sign Holder - Horizontal (shown below)



AL-89800-V



AL-89800-H

Product Description:

- Respiratory Hygiene Station - Locking
- Holds two boxes of face masks, one or two boxes of facial tissues or one box of gloves, and one hand sanitizer dispenser
- Hinged locking lid
- Keyholes and screw holes for wall mounting or can be mounted to a floor stand
- Quartz Beige Powder-Coated Steel

Primary Area for Product Usage:

- All ports of entry
- Anywhere respiratory hygiene products are needed

Dispenses:

- Left: One hand sanitizing gel or foam dispenser no larger than 8.35"W x 14.75"H x 5.00"D (21.2 cm x 37.5 cm x 12.7 cm)
- [Note: Refer to automatic dispensing specifications on detection distance requirements.]
- Middle: Box(es) no larger than 8.00"W x 9.50"H x 4.75"D (20.3 cm x 24.1 cm x 12.1 cm)
- Right: Box(es) no larger than 5.50"W x 9.50"H x 4.75"D (13.7 cm x 24.1 cm x 12.1 cm)

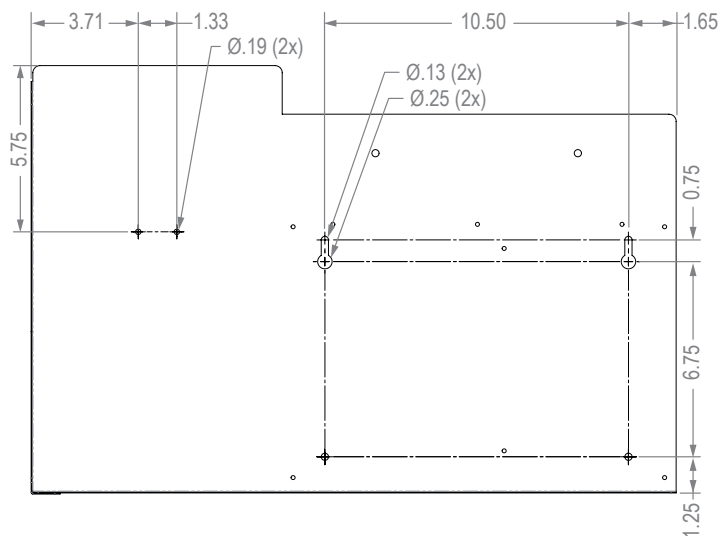
Package Specifications:

- Package Quantity: 1 per case
- 24"L x 16"W x 6"H (61.0 cm x 40.6 cm x 15.2 cm)
- 9.0 lbs (4.1 kg) - approximated

Product Specifications (overall external dimensions):

- 22.31"W x 14.78"H x 5.17"D (56.7 cm x 37.5 cm x 13.1 cm)
- 6.7 lbs (3.0 kg) - approximated

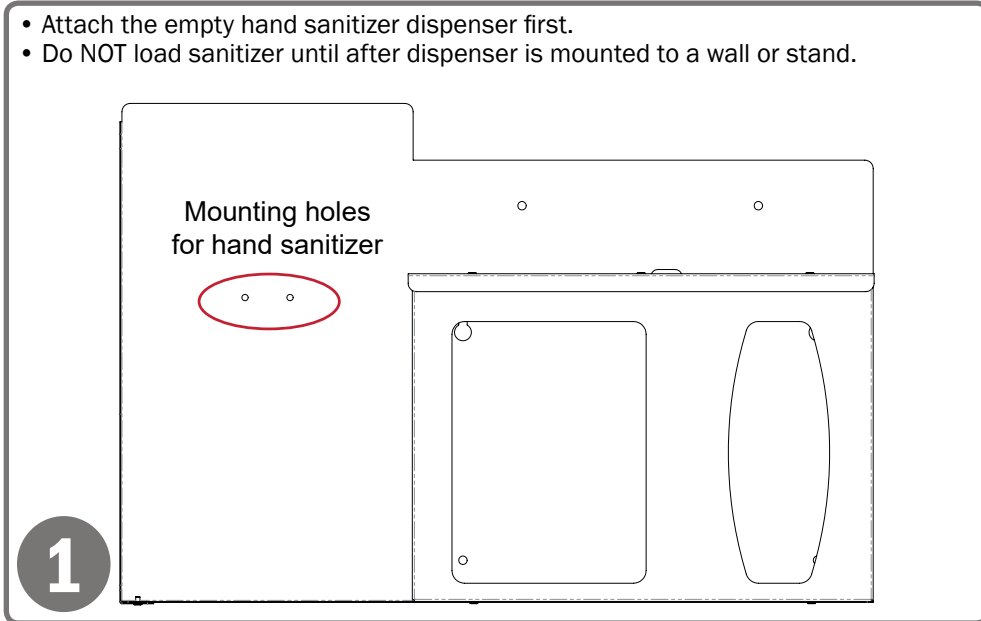
Mounting Specifications:



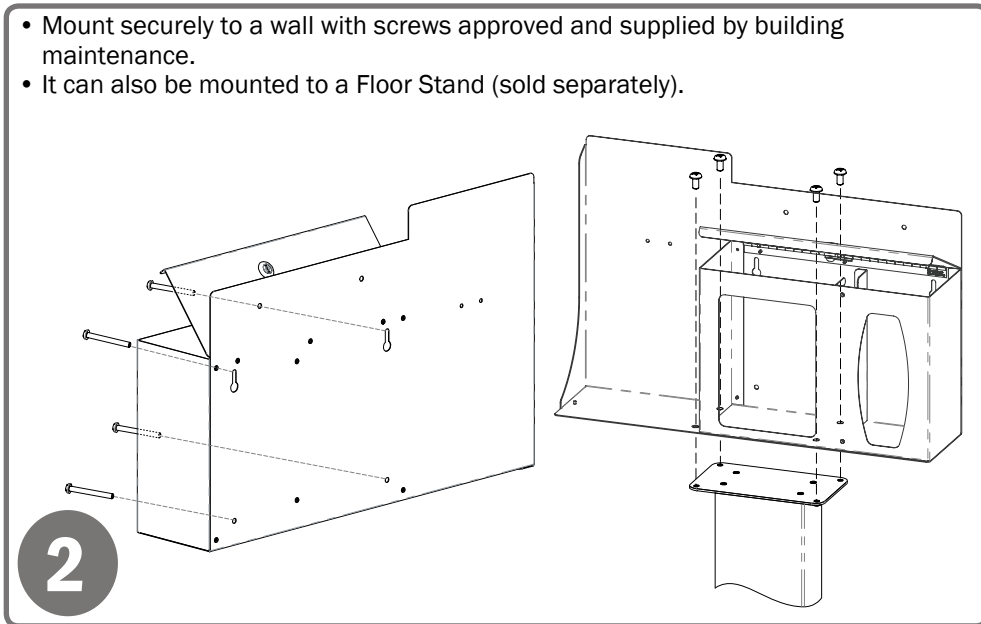
Installation

Always mount dispensers securely *prior* to loading with product.

- Attach the empty hand sanitizer dispenser first.
- Do NOT load sanitizer until after dispenser is mounted to a wall or stand.



- Mount securely to a wall with screws approved and supplied by building maintenance.
- It can also be mounted to a Floor Stand (sold separately).



Parts included:

- Dispenser

Tools Required:

- No tools required to assemble dispenser

Care and Construction

Powder-Coated Steel

Material Characteristics

Designed for Long-Term Use

Our steel dispensers and stands are coated with polyester powders which makes them highly resistant to corrosion.

Powder-coated steel is ideal for dispensers used in a healthcare or an industrial setting because it is impact resistant and is not effected by extremes in temperature.

Dispensers and stands made of powder-coated steel are both attractive and functional, providing years of service.

Care and Cleaning

The powder coated finish resists common chemicals and cleaning agents and can be easily wiped clean with soap and water.