



Security Wiring Device Wall Plates and Covers
Ideal for continuous, intensive use in extreme environments!

ALCO[®]
Sales & Service Co.

The Tiger Series Security Wall Plates represent the finest in high abuse wiring device cover plates. All plates are designed and manufactured to eliminate costly replacement of essential electrical devices. The Tiger series is designed and built to hold up in the most extreme institutional and industrial environments. Injection molded in high strength Polycarbonate/Nylon Blend, the Tiger series will not rust or break. Our molding system eliminates the need for painting. All plates are oversized to accommodate mounting directly into any wall type. The oversized design allows for j-box opening and mounting surface imperfections.



10 YEAR WARRANTY

FEATURES:

- High Impact Resistance/Virtually Unbreakable
- Architectural, Smudge Resistant White
- 100% Rust Proof
- Manufactured to ISO Quality Standard
- Protective Side Impact Lip
- Tamperproof Fastening System
- Smooth Radius Corners
- Fast, Easy Installation
- Patented Product & Process

*Wiring devices not included

SPECIFICATIONS:

Cover plate: Tamperproof one-piece injection molded high strength Polycarbonate/Nylon Blend with Radiused Corners and Textured Finish. 3/16" plate wall thickness.

*Wiring devices not included

Oversized Plate Dimensions:

Single gang 3 1/2" x 5 1/2"

Double gang 5 1/2" x 5 1/2"

Four zinc plated tamperproof screws included (torx head with center pin reject). *Devices held to plate (2) 8/32 x 1/2" for single or (4) for double (Torx head with center pin reject). See mounting instructions and order guide.



Security Wiring Device Wall Plates and Covers
 Ideal for continuous, intensive use in extreme environments!

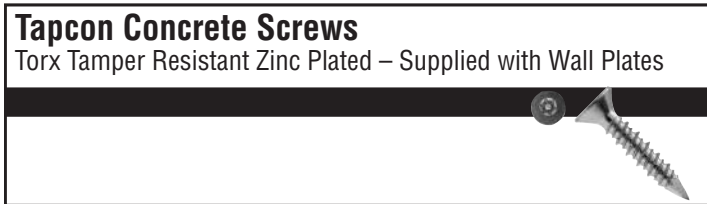
ALCO[®]
 Sales & Service Co.

Mounting Instructions

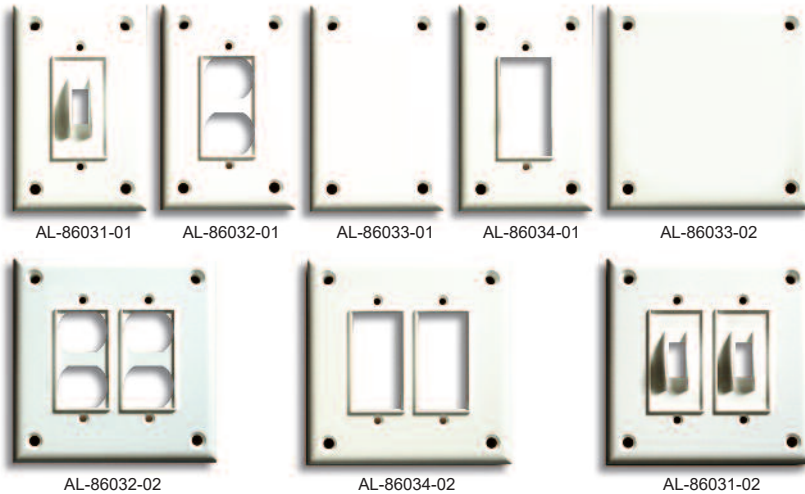
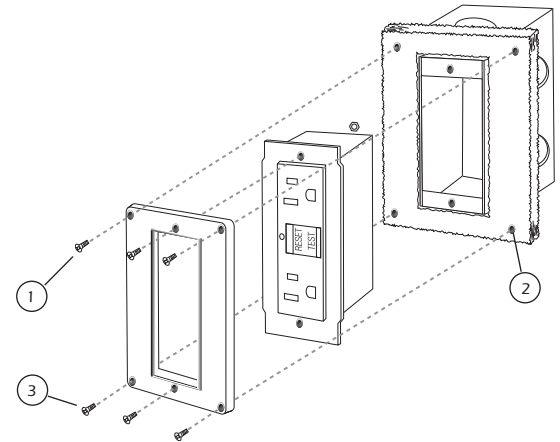
* Wiring devices not included

For All Wall Types

- 1 Attach device to plate with tamperproof screws & Nyloc nuts (provided)
- 2 Drill holes in mounting surface or cast-in threaded inserts
- 3 Install cover plate with security screws to a wall surface



Other Tamper Proof screws are available upon request.



Item	Description
AL-86031-01	Single Switch
AL-86032-01	Duplex Receptacle
AL-86033-01	Blank
AL-86034-01	Ground Fault Interrupter Receptacle
AL-86033-02	Double Blank
AL-86032-02	Double Duplex Receptacle
AL-86034-02	Double Ground Fault Interrupter Receptacles
AL-86031-02	Duplex Switch

info@alcosales.com

800.323.4282

www.alcosales.com

