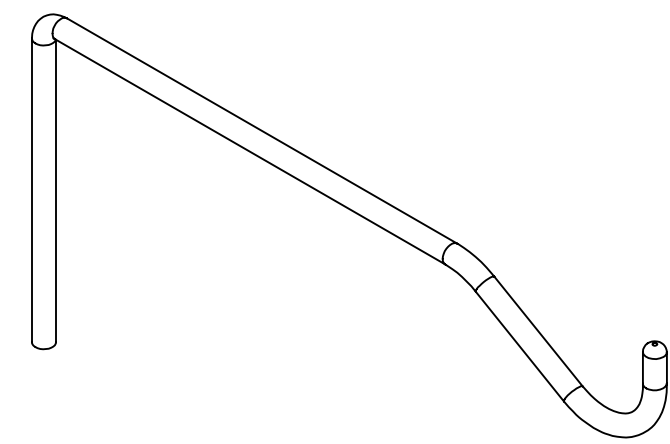
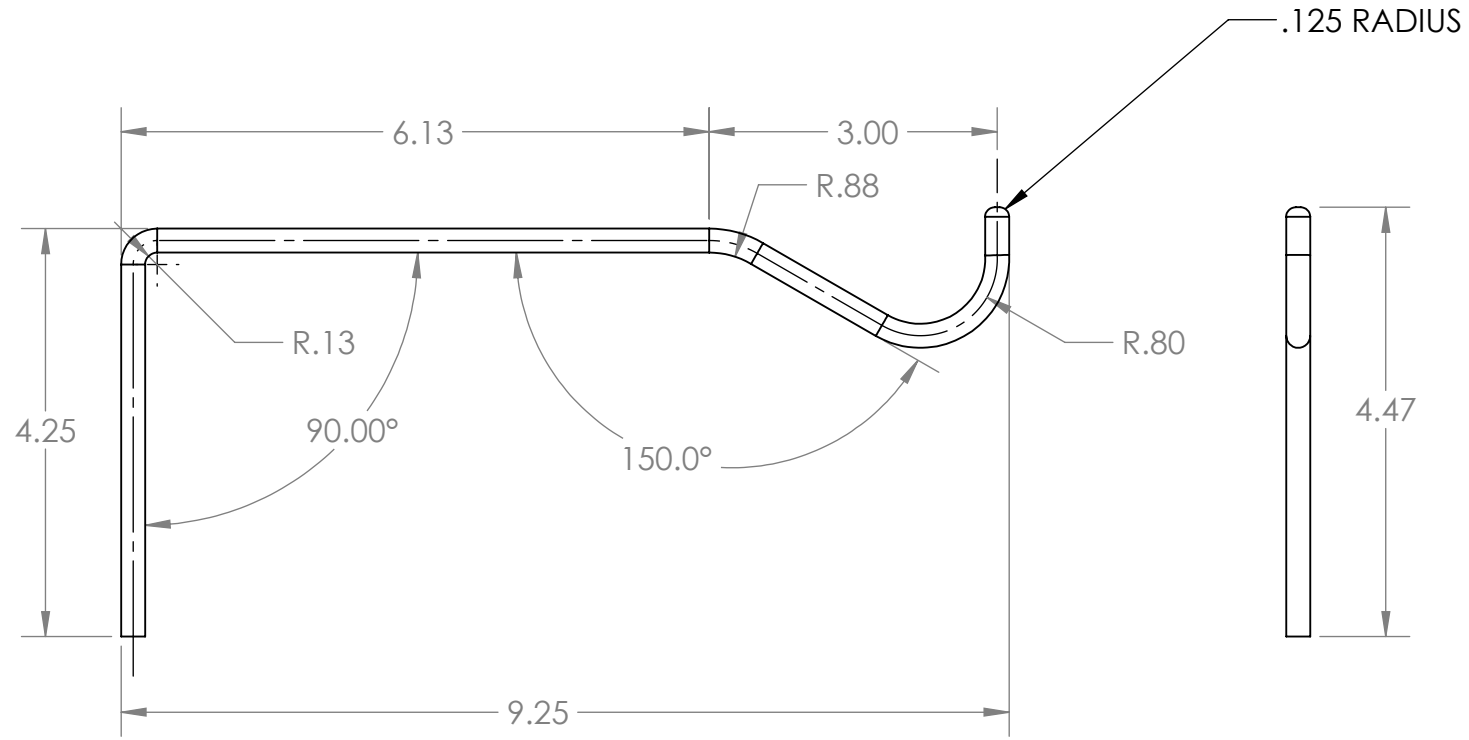
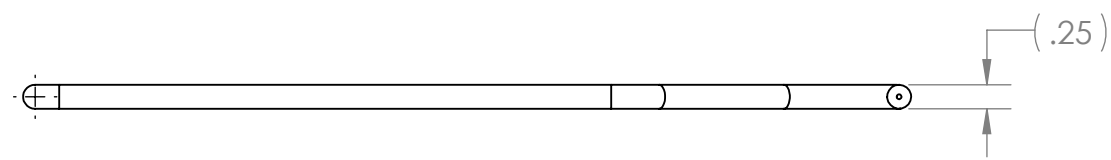


8 7 6 5 4 3 2 1

D  
C  
B  
A



UNLESS OTHERWISE SPECIFIED:  
 DIMENSIONS ARE IN INCHES  
 TOLERANCES:  
 FRACTIONAL ± 1/32  
 ANGULAR: SHEET METAL BEND  
 ± <1 DEGREE  
 .XX = ± .03  
 .XXX = ± .015  
 BREAK ALL SHARP EDGES AND  
 CORNERS .020 MAX.  
 MATERIAL  
 .25 Ø STAINLESS  
 STEEL  
 FINISH

	NAME	DATE
DRAWN	ECM	110922
CHECKED		
ENG APPR.		
MFG APPR.		
Q.A.		
COMMENTS:		

TITLE: IV WALL HANGER AL-82315		
SIZE <b>B</b>	DWG. NO.	REV
SCALE: 1:2	WEIGHT:	SHEET 1 OF 1

www.alcosales.com | 800-323-4282 | 630-655-1900 | info@alcosales.com



8 7 6 5 4 3 2 1