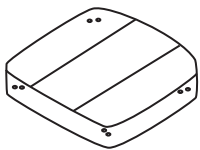


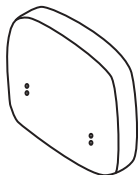
# AL-81854/81855 Guest / Reception Chairs

## Parts Listing

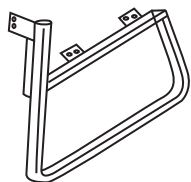
A  
Seat Cushion



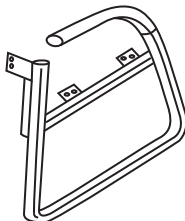
B  
Back Cushion



C  
Steel Frame  
Armless  
1 pair



D  
Steel Frame  
with Arm  
1 pair



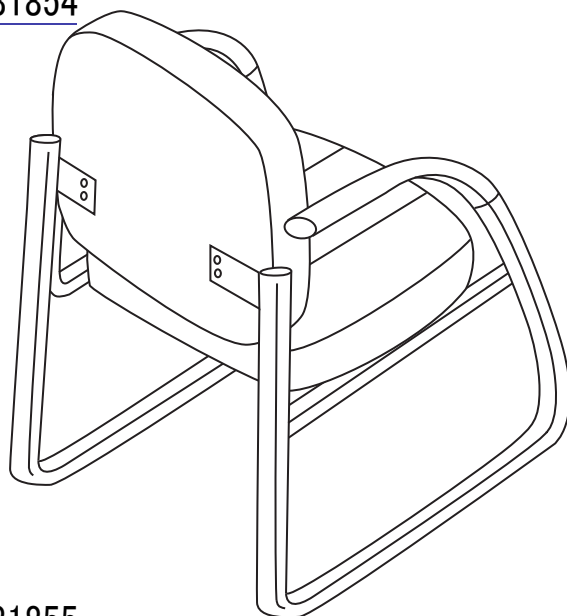
E  
M8 Ni-Lock  
Hex Screws  
8 pcs.



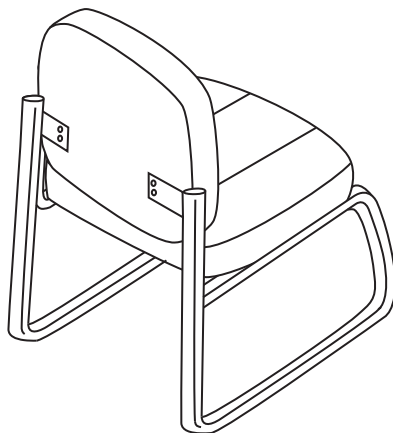
F  
6mm Hex Screws  
4 pcs.



## AL-81854



## AL-81855

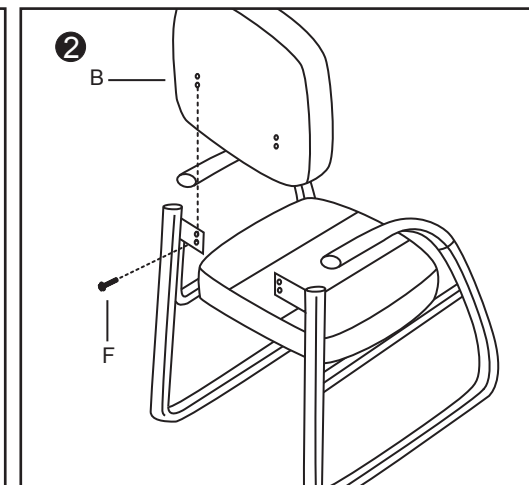
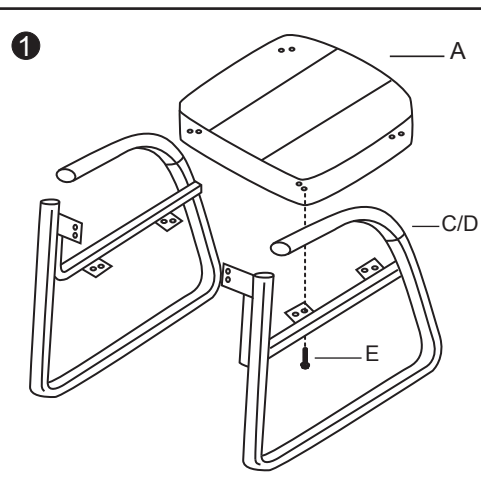


## Assembly Instructions



**Tools Needed: Phillips Head Screwdriver**  
**Please read all instructions before assembly.**

- Step 1:** Mount both sides of Seat Cushion (A) onto the bottom rib of the steel frame (C or D), with special coated Ni-Lock Screws (E) and tighten with screwdriver.
- Step 2:** Place the Back Cushion (B) onto the back rib on top of the side Steel Frame (C or D), attach it with the Hex Screws (F) and tighten with screwdriver.



**WEIGHT CAPACITY: 250 lbs.**

### Assembly Notes:

During assembly, hand tighten screws only. When all screws are in place, you may then tighten all screws completely.

### CAUTION:

1. Do not use this chair as a step ladder.
2. Check for loose screws and tighten them every 6 months.

Phone: 800-323-4282  
Fax: 800-950-1167

**ALCO**  
Sales & Service Co.

info@alcosales.com  
www.alcosales.com



Like us on Facebook at:  
facebook.com/ALCOSalesServiceCo



Follow us on Twitter at:  
twitter.com/ALCOSales