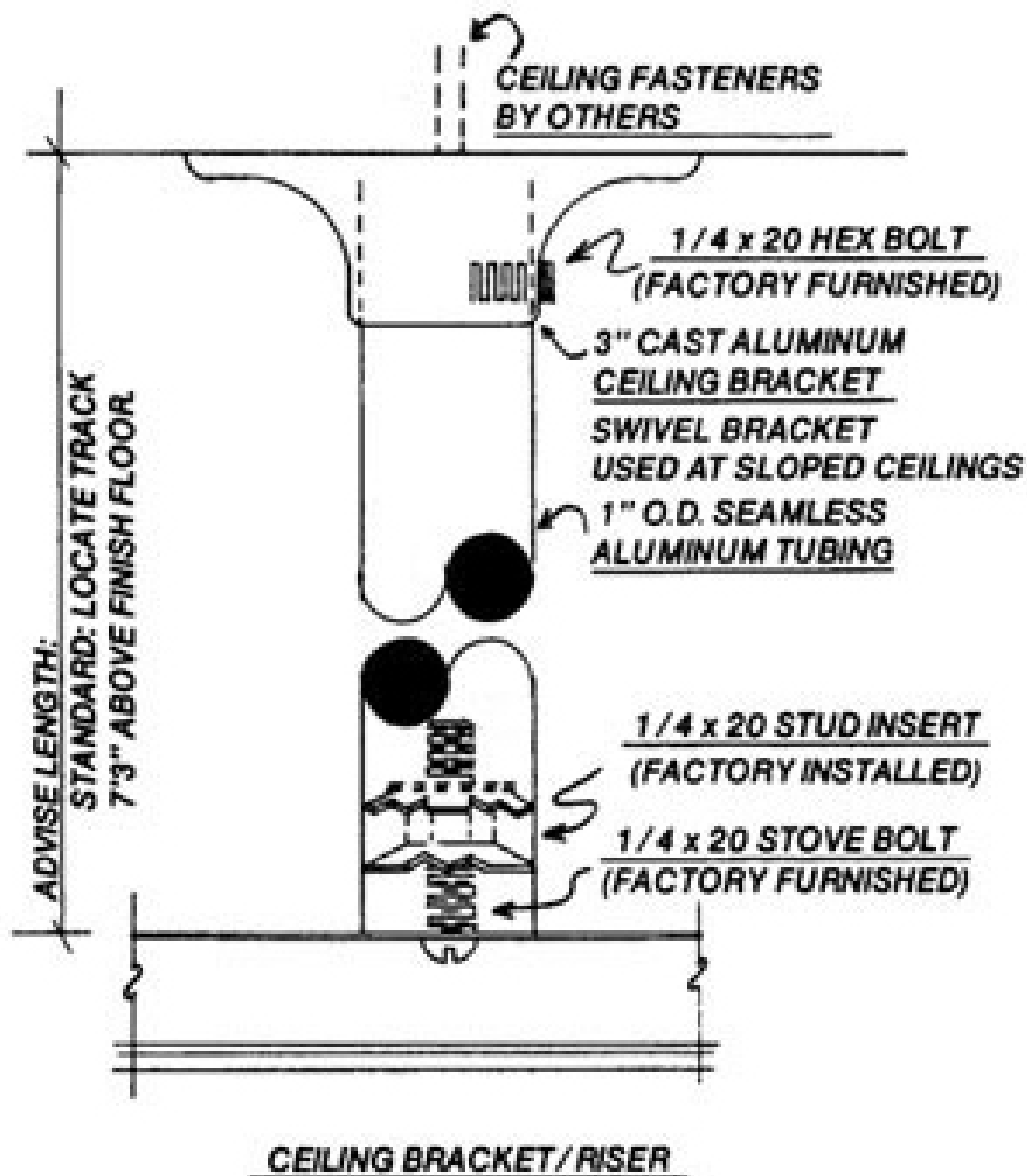


SUSPENDED TRACK DETAILS



NOTE:

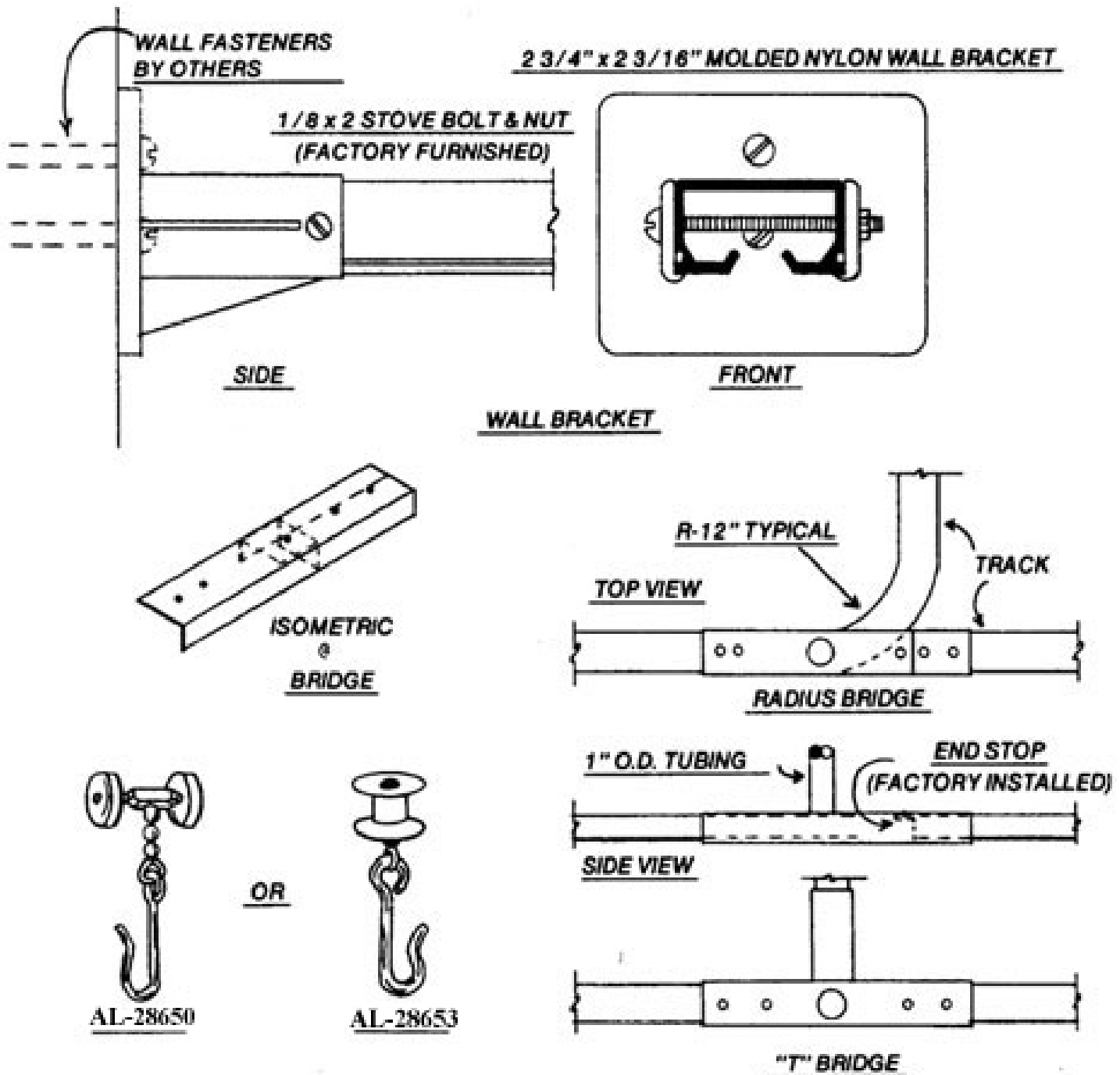
1. TRACK IS NORMALLY MOUNTED 7'-3" A.F.F.
2. TRACKS SHIPPED COMPLETE WITH 2.2 CARRIERS PER FOOT, END STOPS AND ALL NECESSARY WALL BRACKETS, RISERS AND CEILING BRACKETS (APPROX. ONE PER FOUR FEET OF TRACK) AND BRIDGES.
3. ALL RADII ARE 12".
4. INSTALLATION, ABOVE CEILING SUPPORTS OR FASTENERS NOT FURNISHED BY IMPERIAL.

800.323.4282

ALCO[®]
Sales & Service Co.

www.alcosales.com

SUSPENDED TRACK DETAILS



800.323.4282

ALCO[®]
Sales & Service Co.

www.alcosales.com