

# Installation Guide

# AL-84598

## Tools Needed:

**i** If mounting rack to concrete or block surface, concrete screws will be needed.

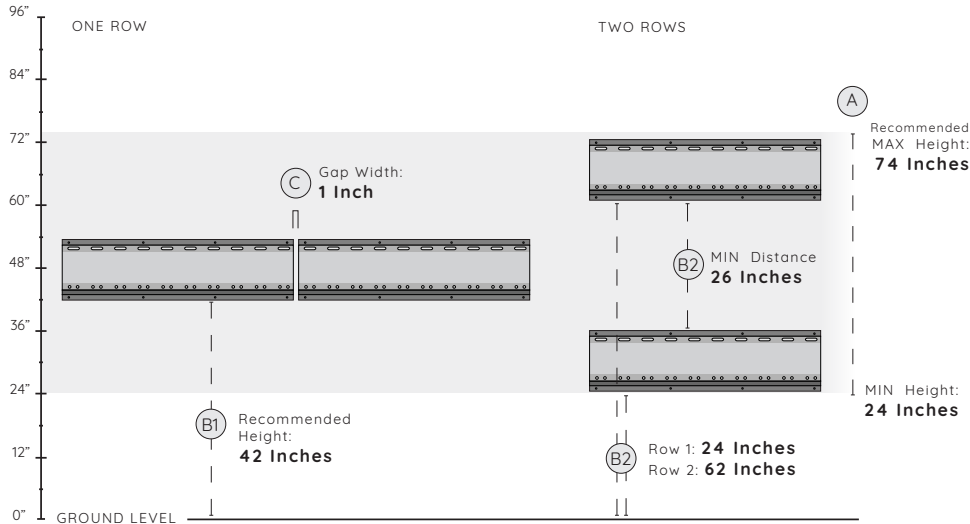
- Pencil
- Drill: 3/16 bit
- Phillips head screw driver
- Level
- Tape measure

## Step 1: Measure

**Tools:** Tape measure, pencil.

Use your tape measure to map out the recommended distances in the Mounting Distribution Diagram below. Mark these distances on the wall in pencil before beginning the mounting process to ensure your walker racks are placed at the recommended height to maximize mobility and efficiency.

WERTH RACK MOUNTING DISTRIBUTION DIAGRAM



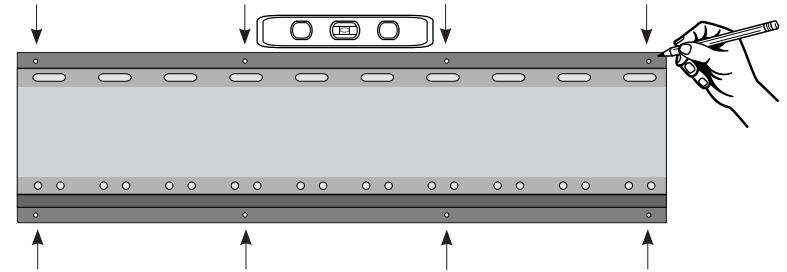
- A** GENERAL BOUNDARIES: Mount your walker rack no lower than 24 inches.\* The recommended maximum height is 74 inches (measured from the TOP mounting edge to the ground).
- B1** ONE ROW: Recommended height is 42 inches\*.
- B2** TWO ROWS: Maintain 26 inches of space between first and second row. Recommended height for BOTTOM row is 24 inches\*. Recommended height for TOP row is 62 inches\*.
- C** SIDE-BY-SIDE: When mounting walker racks side-by-side, leave a 1-inch gap between racks.

\* Measured from the ground to the BOTTOM mounting edge.

## Step 2: Mark

**Tools:** Pencil, level.

Using your pencil marks from Step 1 as a guide, hold the rack against the wall in the exact location you will mount it. Place your level on the top ledge and level your rack. Use your pencil to mark the locations of all 8 mounting holes (4 on top, 4 on bottom).

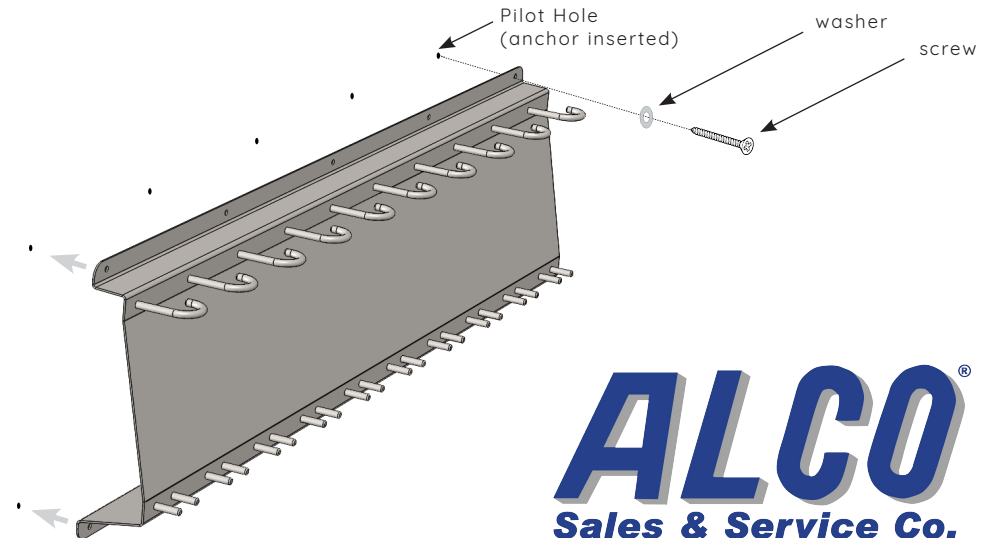


## Step 3: Mount

**Tools:** Drill (3/16 bit), Phillips Head Screwdriver.

**Materials:** 8 Anchors, 8 Washers, 8 Screws.

1. With a 3/16 bit, drill a hole on each pencil mark from Step 2. You should have 8 drilled pilot holes per rack.
2. Insert one self-drilling anchor into each pilot hole.<sup>1</sup>
3. Holding the walker rack against the wall, align the pre-drilled mounting holes with the anchors.
4. Slide one washer onto the screw. Insert screw through the mounting hole and into the anchor.
5. Use your Phillips head screwdriver to drive the screw into the wall.
6. Repeat step 4 and 5 for all eight mounting holes to complete the installation.



**ALCO**<sup>®</sup>  
Sales & Service Co.

<sup>1</sup> If any of the rack holes line up with a wall support member, i.e. wood or metal stud, a drywall anchor is not needed. Proceed with use of screw and washer only.