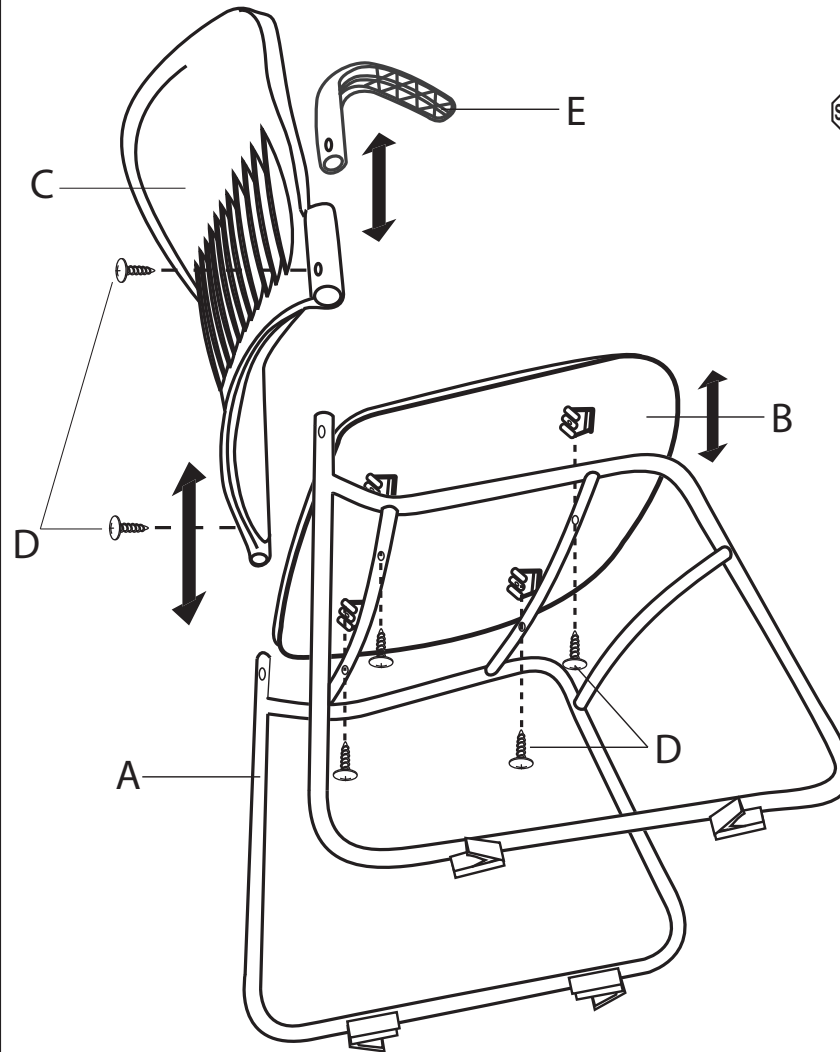
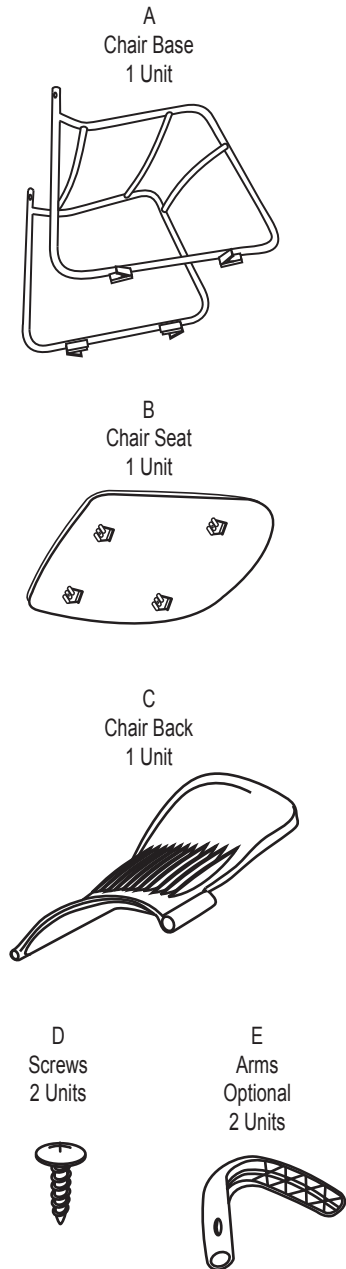


# AL-81954 Multi-Use Stack Chair with Plastic Seat & Back

## Parts Listing



**WEIGHT CAPACITY: 250 lbs.**

### Assembly Notes:

During assembly, hand tighten screw only when all screws are in place, you may then tighten all screws completely.

### CAUTION:

1. Do not use this chair as a step ladder.
2. Check for loose screws and tighten them every 6 months.

## Assembly Instructions



**Tools Needed: Phillips Head Screwdriver**  
*Please read all instructions before assembly.*

**Step 1:** Place Chair Seat (B) onto Chair Base (A), and align screwholes. Insert Screws (D) to secure. Tighten with a screwdriver.

**Step 2:** Slide Chair Back (C) onto posts of Chair Base (A). Align holes and insert Screws (D) to secure. Tighten with a screwdriver

### With Optional Arms (E):

**Step 1:** See Step 1 above.

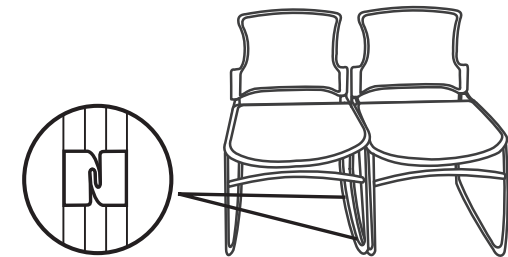
**Step 2:** Slide Chair Back (C) onto posts of Chair Base (A).

**Step 3:** Slide Arms (E) onto sides of Chair Back (C).

**Step 4:** Align holes in arms, back and base and insert Screws (D) to secure. Tighten with a screwdriver.

### Note:

Once arms are added chair is no longer able to stack.



Ganging Brackets are standard on all AL-81954 Chairs

Phone: 800-323-4282  
Fax: 800-950-1167

**ALCO**  
Sales & Service Co.

info@alcosales.com  
www.alcosales.com



Like us on Facebook at:  
facebook.com/ALCOSalesServiceCo



Follow us on Twitter at:  
twitter.com/ALCOSales